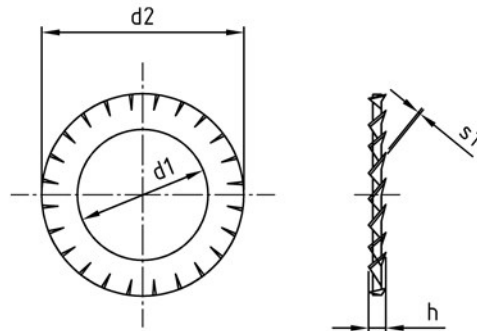


DIN 6798 A2 A 8,4

Serrated lock washers type A



TECHNISCHE DATEN

Art.-Nr.	Item Number	67982084
VPE	Number per package	1000
	Materials	A2
d1	Inner diameter	8.4 mm
d2	Outer diameter	15 mm
α	Angle bracket α	90 °
h	Measurement h	~2,4 mm
s1	Tooth thickness	0.8 mm

Product benefits

USES

Area of use

Machine construction
Metal construction

FEATURES

- Type A

Material

Stainless steel A2
Austenitic stainless and anti-corrosion special-grade steel for use in damp rooms and outdoor applications without significant levels of chlorides or sulphur dioxides.