

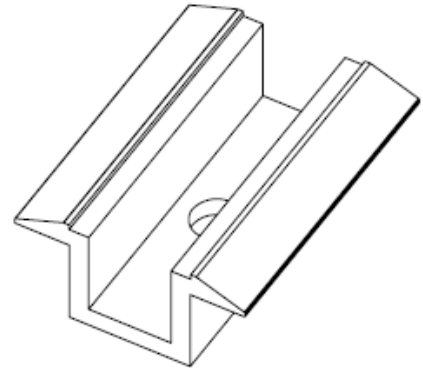
EX-8960180200

Art. number	Description
EX-8960180200	MID CLAMP

Fitting Accessories:

- HEX SOCKET SCREW ISO4762 M8xXX A2 INOX*
- T-SLOT NUT M8 ALUMINIUM

*Length of the screw depending on panel width



Material

- Aluminum Alloy 6005T6

General Values

- Length = 55 mm
- Width = 42 mm
- Height = 20,5 mm
- Weight = 36,17 gr

Mechanical Values

- Tension : 2,5kN
- Compression : 2kN

TIGHTENING TORQUE

- M8 allen - T=12-15 Nm MILL FINISHED PROFILES
- M8 allen - T=14-17 Nm ANODISED PROFILES

