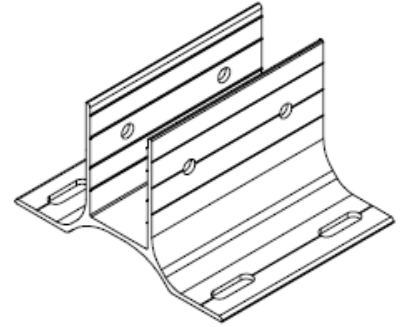


EX-8960280100

Art. number	Description
EX-8960280100	CONCRETE GROUND SUPPORT PLATE 160mm



Fitting Accessories:

- HEXAGON BOLT ISO4017 M10x80 A2 INOX
- HEXAGON NUT DIN6923 M10 WITH SERRATION INOX
- BRACKET H2132
- BRACKET H2136

Material

- Aluminum Alloy 6005T6

General Values

- Length = 160 mm
- Width = 192,73 mm
- Height = 114 mm
- Weight = 742 gr

Mechanical Values

- Tension : 19kN
- Compression : 17kN

TIGHTENING TORQUE

- M10 - T=40-45 Nm MILL FINISHED PROFILES
- M10 - T=50 Nm ANODISED PROFILES

