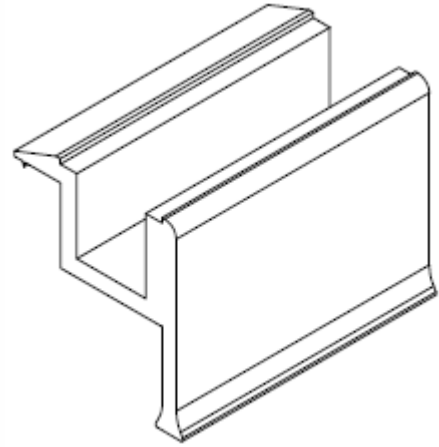


## EX-8960450100

Art. number	Description
EX-8960450100	END CLAMP 36mm

### Fitting Accessories:

- HEX SOCKET SCREW ISO4762 M8x35 A2 INOX
- T-SLOT NUT M8 ALUMINIUM



### Material

- Aluminum Alloy 6005T6

### General Values

- Length = 55 mm
- Width = 36,6 mm
- Height = 40 mm
- Weight = 51,27 gr

### Mechanical Values

- Tension : 2,5kN
- Compression : 2kN

### TIGHTENING TORQUE

- M8 allen - T=12-15 Nm MILL FINISHED PROFILES
- M8 allen - T=14-17 Nm ANODISED PROFILES

