



Technical Data

end clamp AK II click 30-50 A

Material - Characteristics

description:

end clamp AK II click 30-50A

art.-no.:

30-400-008

Product Data

material identification

EN AW-6063 T6
(EN AW-AMg0,7Si)

mechanical values:

$F_{rd \text{ suction}}$	=	2030 N
$F_{rd \text{ thrust lateral}}$	=	150 N
$F_{rd \text{ thrust parallel}}$	=	600 N

general values:

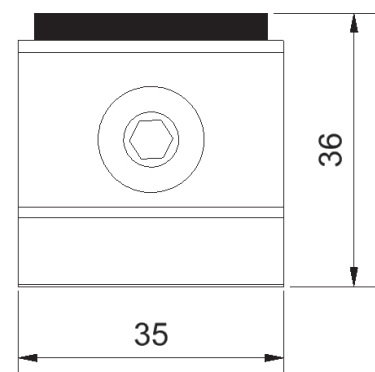
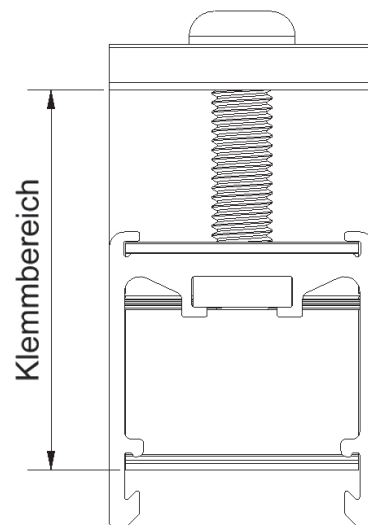
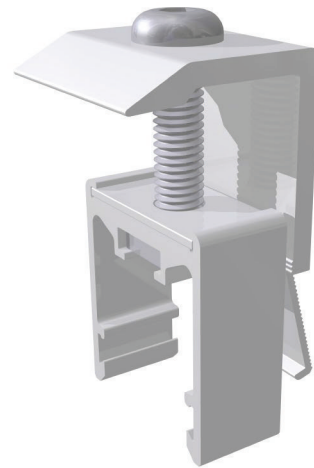
length	=	36,00 mm
wide	=	35,00 mm
hight	=	66,60 mm
weight	=	0,055 kg

notice:

height of module frame: 30 - 50 mm
tightening torque: 8-10 Nm (M8x35)
static values of the items on request

fitting:

Flat head screw M8x35 ISO 7380 A2-70 A
Square nut M8 low form DIN 562 A2-50



Execution Class according to Eurocode and EN 1090, parts 1 and 3: EXC 2